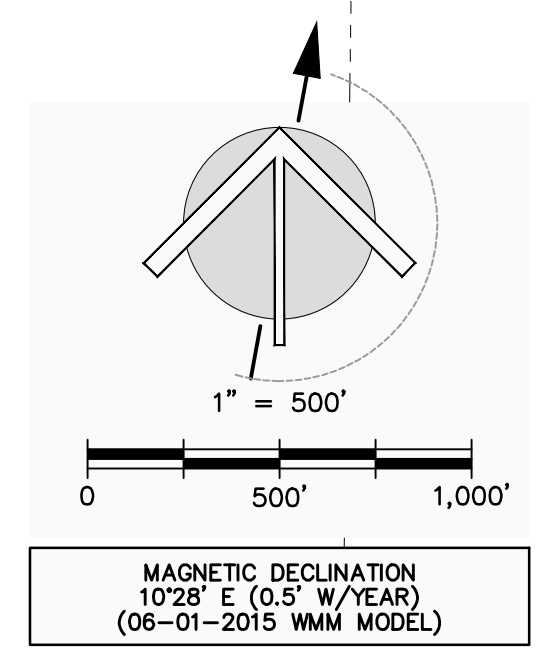
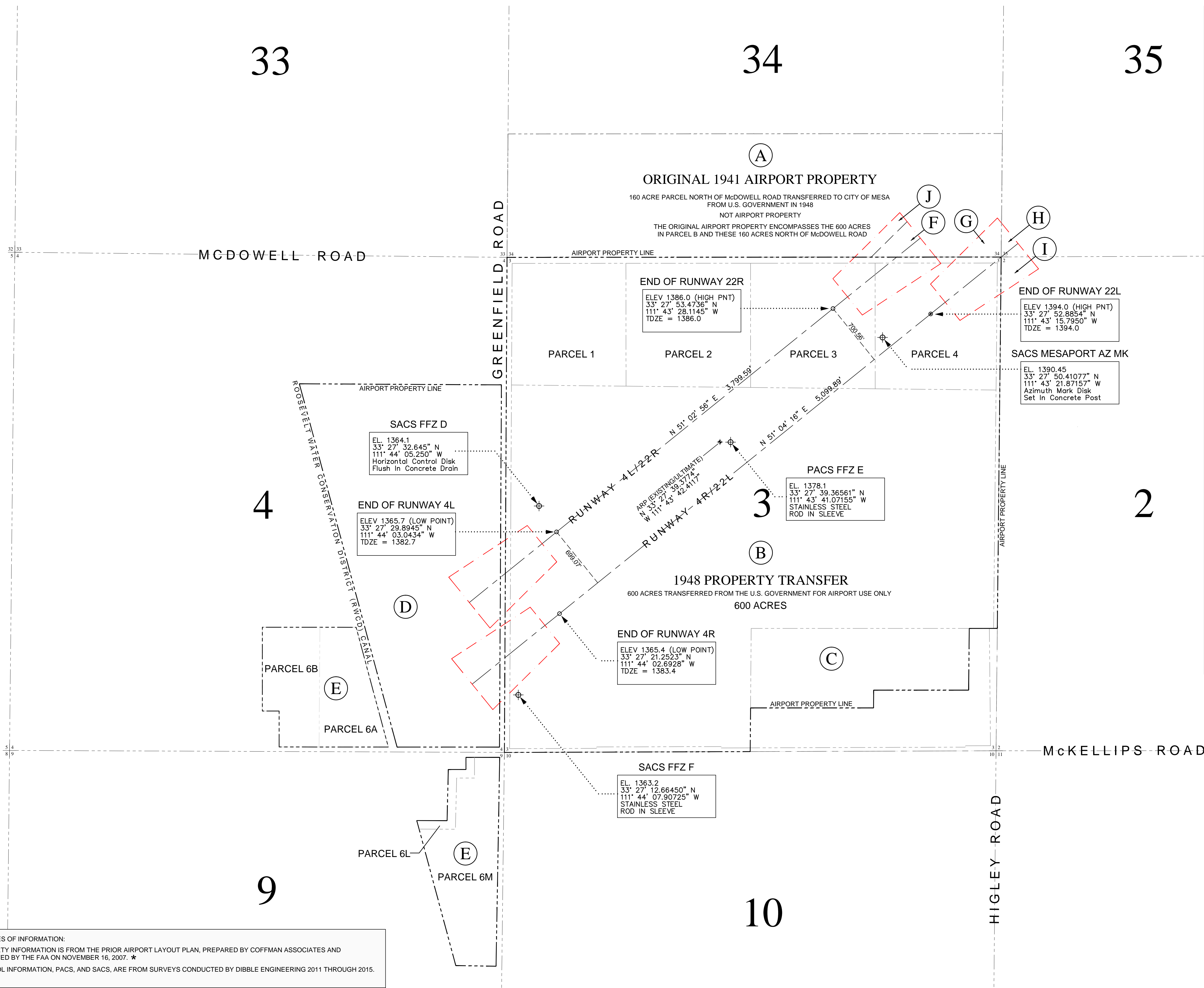


33

34

35

PARCEL DESCRIPTIONS	
FEE OWNERSHIP	EASEMENTS
(A) TYPE: Warranty Deed PARCEL: (See legal description) DATE: 6-28-41 ACRES: 680 RECORDED AT: Maricopa Cty DOCKET #: 19673 PAGE #: Unknown NOTE: Deed recorded in Book 357, Page 588 (See Note 1)	(F) TYPE: Avigation PARCEL: E1 OWNER: The Boeing Company BY: City of Mesa DATE: January 1988 RECORDED: No DATE: Unknown DOCKET #: Unknown PAGE #: Unknown
(B) TYPE: Instrument of Transfer PARCEL: (See legal description) DATE: 8-17-48 ACRES: 600 RECORDED AT: Maricopa Cty DOCKET #: 270 PAGE #: 90-101 (See Note 2)	(G) TYPE: Avigation PARCEL: E2 OWNER: The Boeing Company BY: City of Mesa DATE: January 1988 RECORDED: No DATE: Unknown DOCKET #: Unknown PAGE #: Unknown
(H) TYPE: Instrument of Release PARCEL: (See legal description) DATE: 7-29-59 NOTE: Permits the use of property and Buildings for commercial/industrial purposes.	(H) TYPE: Avigation PARCEL: E3 OWNER: The Boeing Company BY: City of Mesa DATE: January 1988 RECORDED: No DATE: Unknown DOCKET #: Unknown PAGE #: Unknown
(I) TYPE: Instrument of Release PARCEL: (See legal description) DATE: 3-15-66 NOTE: Deleted provision in Instrument of Transfer to allow U.S. Government to take possession of airport property without compensation.	(I) TYPE: Avigation PARCEL: E4 OWNER: Apache Wells Country Club BY: City of Mesa DATE: Unknown RECORDED: No DATE: Unknown DOCKET #: Unknown PAGE #: Unknown
(C) TYPE: Warranty Deed PARCEL: 141-36-003B DATE: 12-28-76 ACRES: 39.9 RECORDED AT: Maricopa Cty DOCKET #: 12008 PAGE #: 326	(J) TYPE: Avigation PARCEL: E5 OWNER: The Boeing Company BY: City of Mesa DATE: January 1988 RECORDED: No DATE: Unknown DOCKET #: Unknown PAGE #: Unknown
(D) TYPE: Fee Simple PARCEL: 141-28-12A DATE: Unknown ACRES: 55.341 RECORDED AT: Maricopa Cty DOCKET #: 09015 PAGE #: 754	GENERAL NOTES 1. This property includes Parcels 1, 2, 3 and 4 located in the north half of the north half of Section 3, Township 1 North, Range 6 East, Gila and Salt River Base Meridian. 2. This property was transferred from the U.S. Government to the City of Mesa under the Surplus Property Act of 1947 and was to be used only for an airport. The transfer documents required that all the property (including buildings/facilities) be used for aviation purposes only. The property originally taken by the U.S. Government included 160 acres north of McDowell Road. This property was not included in the Transfer agreement and was returned to the City of Mesa. 3. A search of all the property records in the City of Mesa, McDonnell Douglas Helicopters, the Maricopa County Recorder and the Title companies, failed to produce any recorded aviation easements. It is recommended that the Sponsor secure recorded Avigation Easements for these properties.
(E) TYPE: Fee Simple PARCEL: 141-28-07 DATE: 2-2-78 ACRES: 37.006 RECORDED AT: Maricopa Cty DOCKET #: 12693 PAGE #: 39	
(E) TYPE: Special Warranty PARCEL: 141-28-006A DATE: 5-19-95 ACRES: 14.948 RECORDED AT: Maricopa Cty DOCKET #: 95-284558 PAGE #: --	(E) TYPE: Special Warranty PARCEL: 141-28-006B DATE: 5-19-95 ACRES: 18.182 RECORDED AT: Maricopa Cty DOCKET #: 95-284558 PAGE #: --
(E) TYPE: Special Warranty PARCEL: 141-28-006B DATE: 5-19-95 ACRES: 18.182 RECORDED AT: Maricopa Cty DOCKET #: 95-284558 PAGE #: --	



SOURCES OF INFORMATION:
PROPERTY INFORMATION IS FROM THE PRIOR AIRPORT LAYOUT PLAN, PREPARED BY COFFMAN ASSOCIATES AND APPROVED BY THE FAA ON NOVEMBER 16, 2007. ★
CONTROL INFORMATION, PACS, AND SACS, ARE FROM SURVEYS CONDUCTED BY DIBBLE ENGINEERING 2011 THROUGH 2015. ...
★ NOTE: NICHOLAS J PELA & ASSOCIATES AND DIBBLE ENGINEERING DO NOT GUARANTEE THE ACCURACY OF THIS INFORMATION.

MESA-FALCON FIELD AIRPORT (FFZ)
City of Mesa, Arizona

nicholas j pela & associates
airport consultants
2930 East Northern Ave., Bldg A-100
Phoenix, Arizona 85028
(602) 349-9967
nicholas.pela@nicholaspela.com

REVISION	REVISION DESCRIPTION	DATE
1	UPDATE ALP - EXISTING AND ULTIMATE IMPROVEMENTS	01/20/2016
2	ADD EXISTING ASOS and ULTIMATE RWY 4L-22R BLAST PADS	07/15/2016

HORIZONTAL AND VERTICAL CONTROL / PROPERTY MAP

MESA - FALCON FIELD AIRPORT (FFZ)

MESA, ARIZONA

Planning:	NJP	Sheet No.	10
Drawn:	NJP		
Checked:	RT		
Date:	07/15/2016		
		of	10